

Pneumatic Diaphragm Valves PN10/145PSI

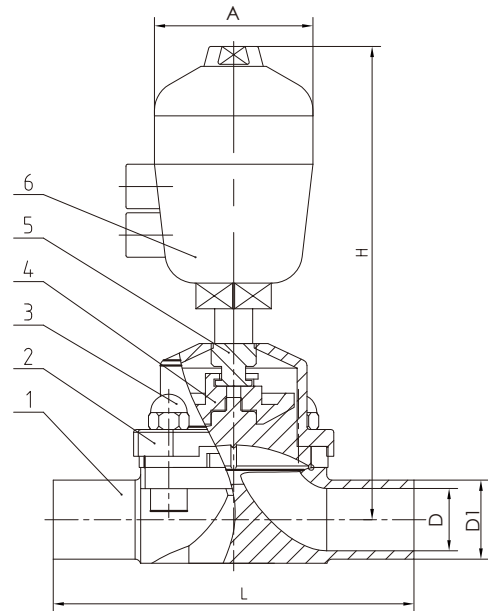
Plastic, Welded, Position Indicator
Sealing Material Comply to FDA177.1210/2600
Dimensions to DIN11850, 3A
Temperature Range: -20°C~150°C/-4°F~302°F



DV5693-W

Materials		
No.	Part	材料
1	Body	ANSI 316L
2	Bonnet	ANSI 304/316L
3	Bonnet Nut	ANSI 304
4	Disc	ANSI 304/316L
5	Diaphragm	EPDM, EPDM+PTFE
6	Actuator	PA-6

- * Single or double diaphragms are available.
- * The control mode can be normally closed, normally open, or double acting.
- T-bodies, tank bottom bodies or multi-channel bodies can be selected on your request.



Dimensions (DIN/3A)					
Size/In	D DIN/3A	D1 DIN/3A	L DIN/3A	H DIN/3A	A DIN/3A
3/8	9/-	12/-	108/-	207/-	84/-
1/2	15/9.4	18/12.7	117/108	210/207	84/80
3/4	19/15.8	22/19.1	117	215/210	84/80
1	25/22.1	28/25.4	127	215	102/80
1 1/4	31/28.5	34/31.8	146	240	102
1 1/2	37/34.8	40/38.1	160	247/240	102
2	49/47.5	52/50.8	190	300	130
2 1/2	66/60.2	70/63.5	216	310	130
3	81/72.9	85/76.2	254	325	130

◆Please consult the factory for ISO and other standard sizes such as ASME BPE, BS4825, etc.